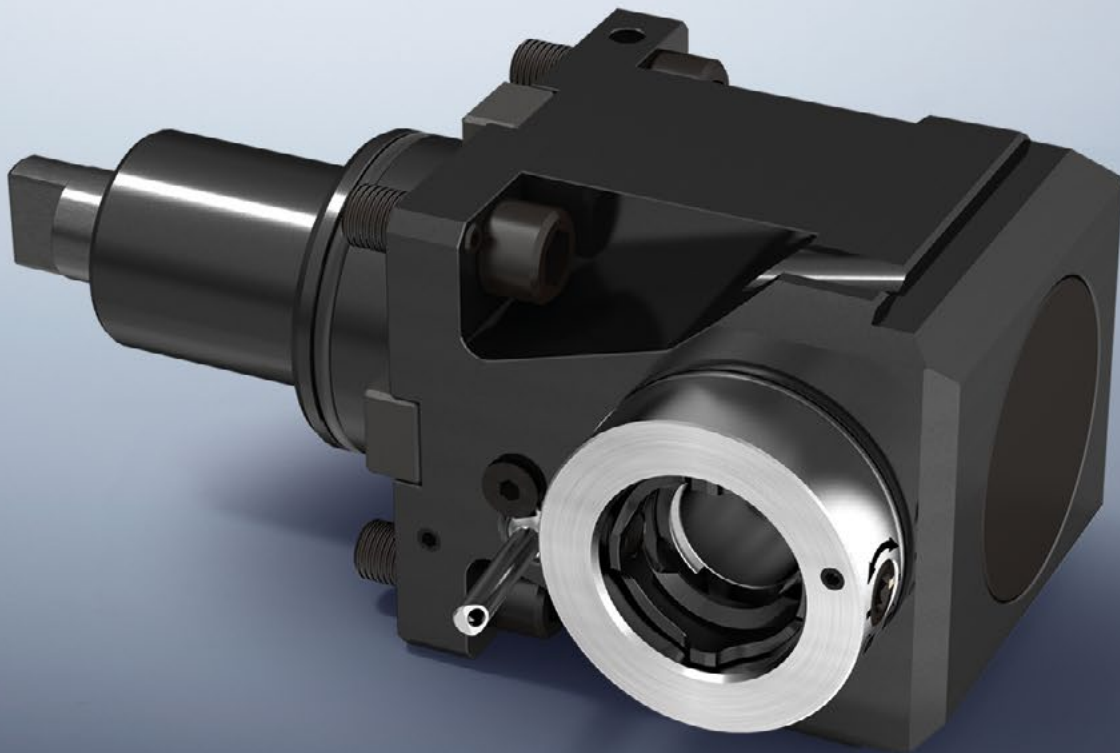


HAAS BMT TOOLING

Haas CNC turning centers with BMT 65 turret

Promo

Metal Machining



OEM SUPPLIER

HAAS LIVE TOOLS BMT 65 + ADAPTER

BENZ SOLIDFIX® - COLLET CHUCK

BUNDLES

SET	Description	BENZ Order No.	Promo price (€)
Bundle I	BENZ Solidfix®: 1 x axial live tool (ext. coolant) 1 x ER32 collet chuck adapter 1 x allen key	114SET1270001	999,-
Bundle II	BENZ Solidfix®: 1 x radial live tool (ext. coolant) 1 x ER 32 collet chuck adapter 1 x allen key	114SET1270002	1.589,-
Bundle III	Collet chuck: 2 x axial live tools (ext. coolant) 2 x radial live tools (ext. coolant) 1 x set of wrenches	114SET1270003	3.999,-
Bundle IV	BENZ Solidfix®: 2 x axial live tools (ext. coolant) 2 x radial live tools (ext coolant) 4 x ER 32 collet chuck adapter 1 x allen key	114SET1270004	4.999,-

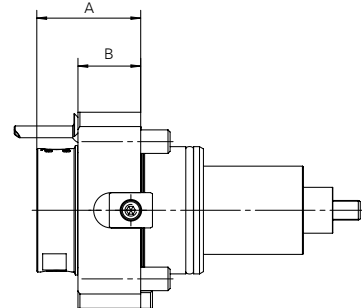
HAAS OEM TOOLS

SET	Description	HAAS Order No.	BENZ Order No.	Promo price (€)
Axial / straight	Collet chuck: 1 x axial live tool (ext. coolant) 1 x set of wrenches	BMT65-STRAIGHT	114DA12700E6A-Z	730,-
Radial / 90°	Collet chuck: 1 x radial live tool (ext. coolant) 1 x set of wrenches	BMT65-90-DEGREE	114FAX12749E6AD-72-Z	1.300,-

HAAS LATHES

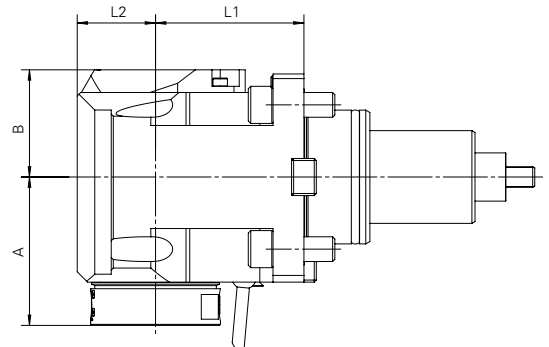
ST-20 | ST-20Y | ST-25 | ST-25Y | ST-30 | ST-30Y | ST-35 | ST-35Y | DS-30Y

AXIAL



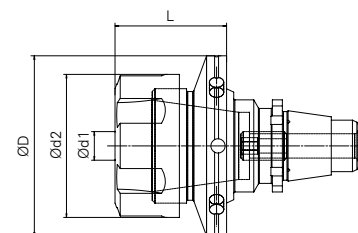
Output spindle	Technical data								Order No.
	Size Spindle	i	EC	IC*	$n_{1\max} / n_{2\max}$ [min ⁻¹]	$M_{1\max} / M_{2\max}$ [Nm]	A_{\max} [mm]	B [mm]	
BENZ Solidfix®	S4	1:1	✓	-	6.000 / 6.000	70 / 70	53	32	114DA12700S4
Collet chuck	ER32	1:1	✓	-	6.000 / 6.000	70 / 70	45,1	32	114DA12700E6A

RADIAL



Output spindle	Technical data										Order No.
	Size Spindle	i	EC	IC*	$n_{1\max} / n_{2\max}$ [min ⁻¹]	$M_{1\max} / M_{2\max}$ [Nm]	A_{\max} [mm]	B [mm]	L1 [mm]	L2 [mm]	
BENZ Solidfix®	S4	1:1	✓	-	6.000 / 6.000	70 / 70	72	52	72	38	114FAX12749S4D-72
Collet chuck	ER32	1:1	✓	-	6.000 / 6.000	70 / 70	69,1	52	72	38	114FAX12749E6AD-72

BENZ SOLIDFIX® - ADAPTER



Adapter	Technical data						Order No.
	Size	Type	ØD [mm]	Ød1 [mm]	Ød2 [mm]	L [mm]	
Collet chuck - internal clamping nut	S4	ER32 8° ER	63	2-20	50	39	694.130E639

collet not included in delivery

BENZ GmbH Werkzeugsysteme

Im Mühlegrün 12
D-77716 Haslach
T +49 7832 704-0
F +49 7832 704-8001
info@benz-tools.de
www.benz-tools.de

