

# BROACHING UNITS FOR TURNING CENTERS

## BENZ LINA - RADIAL

### ▶ PRODUCT IN OVERVIEW



- ▶ max. groove width 8-10 mm
- ▶ Ratio 1:1
- ▶ max. feed per stroke 0.15 mm
- ▶ max. speed 1,200 rpm

### ▶ TYPE

**FS** **FSS** **FSL**

### ▶ TURRET INTERFACE

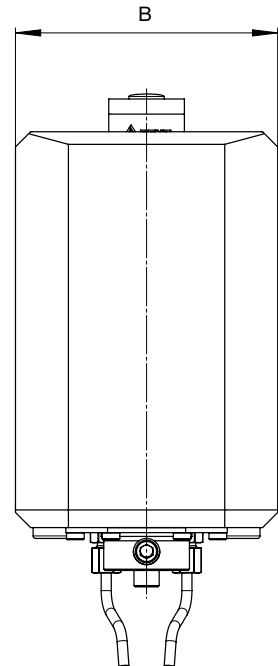
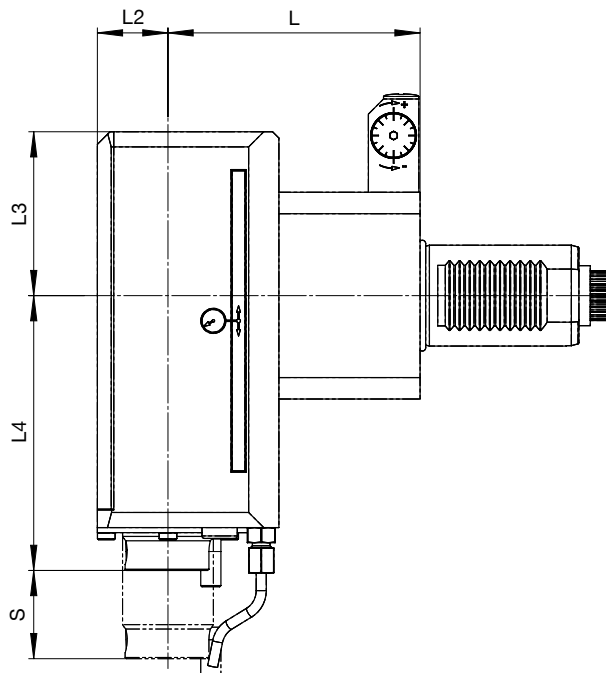


VDI

BMT

CDI

More on request



FS	
Usable working stroke	= 32 mm
Total stroke	= 35 mm
Material strength <sub>max</sub>	= 900 N/mm <sup>2</sup>
No. of strokes/speed <sub>max</sub>	= 1,000 rpm

► **Technical data**

L2 [mm]	L3 [mm]	L4 [mm]	B [mm]	S [mm]	L* [mm]	Weight [kg]*
28	65	109	104	32/35	65-160	approx. 10

FSS	
Usable working stroke	= 17 mm
Total stroke	= 19 mm
Material strength <sub>max</sub>	= 1,100 N/mm <sup>2</sup>
No. of strokes/speed <sub>max</sub>	= 1,200 rpm

► **Technical data**

L2 [mm]	L3 [mm]	L4 [mm]	B [mm]	S [mm]	L* [mm]	Weight [kg]*
28	65	109	104	17/19	65-160	approx. 10

FSL	
Usable working stroke	= 51 mm
Total stroke	= 53 mm
Material strength <sub>max</sub>	= 900 N/mm <sup>2</sup>
No. of strokes/speed <sub>max</sub>	= 750 rpm

► **Technical data**

L2 [mm]	L3 [mm]	L4 [mm]	B [mm]	S [mm]	L* [mm]	Weight [kg]*
32	85	135	129	51/53	70-165	approx. 15



\*Varies based on base holder